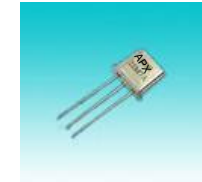


CRYSTAL FILTERS (Rohs Compliant / Lead Free)

Leaded and SMD type (APF-UM1, UM5 & APF-UM1S, UM5S Series)



- SPECIFICATIONS



Channel Spacing	Type	Nominal Frequency	Pole	Pass Band Width		Stop Band Width				Ripple	Loss	Guaranteed Attenuation		Terminating Impedance	Operating Temp.	Case
				dB	KHz	dB	KHz	dB	KHz	dB	dB	dB	fo±KHz	Ω//PF	°C	
12.5KHz	21M08A	21.4MHz	2	3±3.75	20±18.0				0.5	1.5	65±300 - ±1000		850 // 6	-20 TO +70	UM1,5	
	21M07B		4	3±3.75	40±14.0				1	2.5	65±300 - ±1000		850 // 5	-20 TO +70	UM1,5x2	
	21M07C	21.8MHz	6	3±3.75	45±8.75	65±12.5		2	3	65±12.5 - ±300		850 // 5	-20 TO +70	UM1,5x3		
	21M07D		8	3±3.75	65±8.75	90±12.5		2	4	90±12.5 - ±300		850 // 5	-20 TO +70	UM1,5x4		
	21M07E		10	6±3.75	75±8.75	90±10.5		2	5	90±12.5 - ±300		850 // 5	-20 TO +70	UM1,5x5		
25.0KHz	21M15A	21.4MHz	2	3±7.5	18±8.75				1	1.5	35±300 - ±1000		1.5K // 2.5	-20 TO +70	UM1,5	
	21M15B		4	3±7.5	40±25.0				1	2.5	65±300 - ±1000		1.5K // 2.0	-20 TO +70	UM1,5x2	
	21M15C	21.8MHz	6	3±7.5	45±17.5	65±25.0		2	3	65±25 - ±300		1.5K // 2.0	-20 TO +70	UM1,5x3		
	21M15D		8	3±7.5	65±17.5	90±25.0		2	4	90±25 - ±300		1.5K // 2.0	-20 TO +70	UM1,5x4		
	21M15E		10	6±7.5	75±16.0	90±18.0		2	5	90±18 - ±300		1.2K // 2.0	-20 TO +70	UM1,5x5		
50.0KHz	21M30A	21.4MHz	2	3±15.0	15±45.0				0.5	1.5	35±300 - ±1000		1.5K // 1	-20 TO +70	UM1,5	
	21M30B		4	3±15.0	40±50.0				1	2.5	65±300 - ±1000		2.2K // 0.5	-20 TO +70	UM1,5x2	
	21M30C	21.8MHz	6	3±15.0	45±35.0	65±50.0		2	3	65±50 - ±300		2.2K // 0.5	-20 TO +70	UM1,5x3		
	21M30D		8	3±15.0	65±35.0	90±50.0		2	4	90±50 - ±300		2.2K // 0.5	-20 TO +70	UM1,5x4		

- OUTLINE DIMENSIONS

PLEASE SEE ATTACHED DRAWING.

ORDERING CODE SYSTEM (VERSION 1.1 UPDATED MAY 2008)				EXAMPLE:
SERIES	FREQUENCY	SPECIFICATION	TEMPERATURE RANGE	APF-UM1-21M08A
APF-UM1, UM5 UM1S, UM5S	21.4MHz ~ 21.8MHz	AS THE ABOVE TABLE	BLANK: STANDARD -20 TO +70°C	

NON STANDARD FREQUENCIES AND SPECIFICATIONS ARE AVAILABLE ON REQUEST

ActPro Ltd. (APX-Crystal) PROREP EDGE Meditronics PTE Ltd.	HONG KONG FRANCE SINGAPORE	Email: sales@apx-crystal.com Email: sales@prorep.fr Email: sales@edgemeditronics.com.sg	Internet: www.apx-crystal.com Internet: www.prorep.fr Internet: www.edgemeditronics.com.sg	Tel: 852-3625 2368 Tel: 33-1-4812 1736 Tel: 65-6455 0521	Fax: 852-2633 8503 Fax: 33-1-4812 1739 Fax: 65-6455 0857
--	----------------------------------	---	--	--	--

Specifications are subject to change without notice

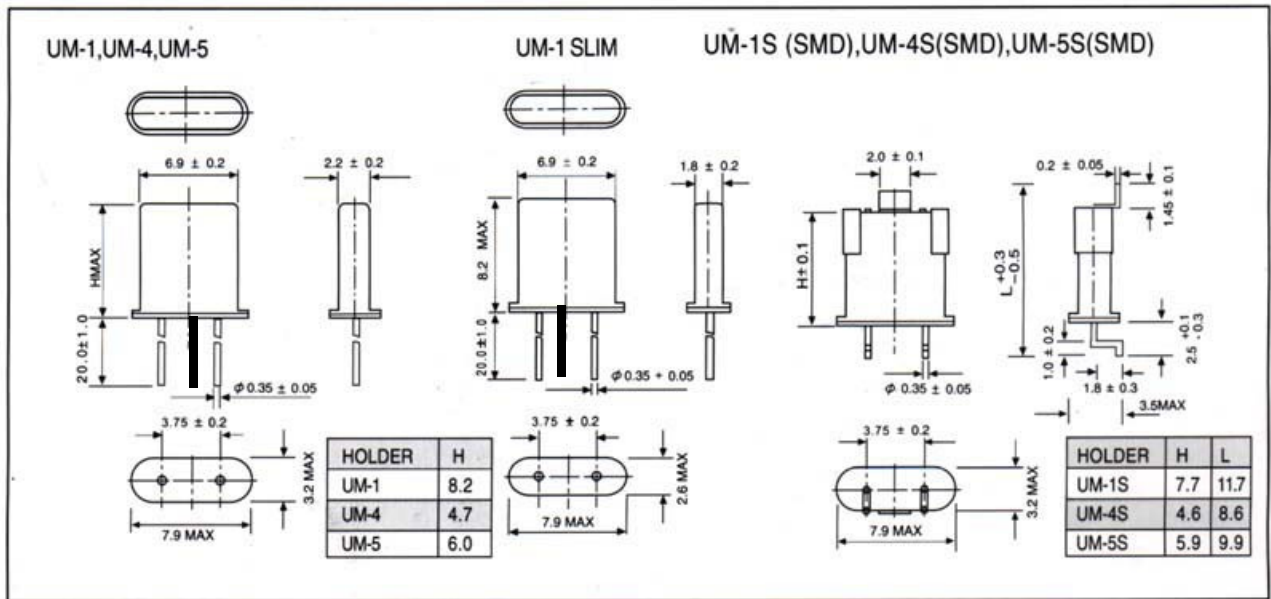
CRYSTAL FILTER (Rohs Compliant / Lead Free)

Leaded and SMD type

(APF-UM1, UM5 & APF-UM1S, UM5S Series)



- OUTLINE DIMENSIONS



SPECIFICATION FOR APPROVAL